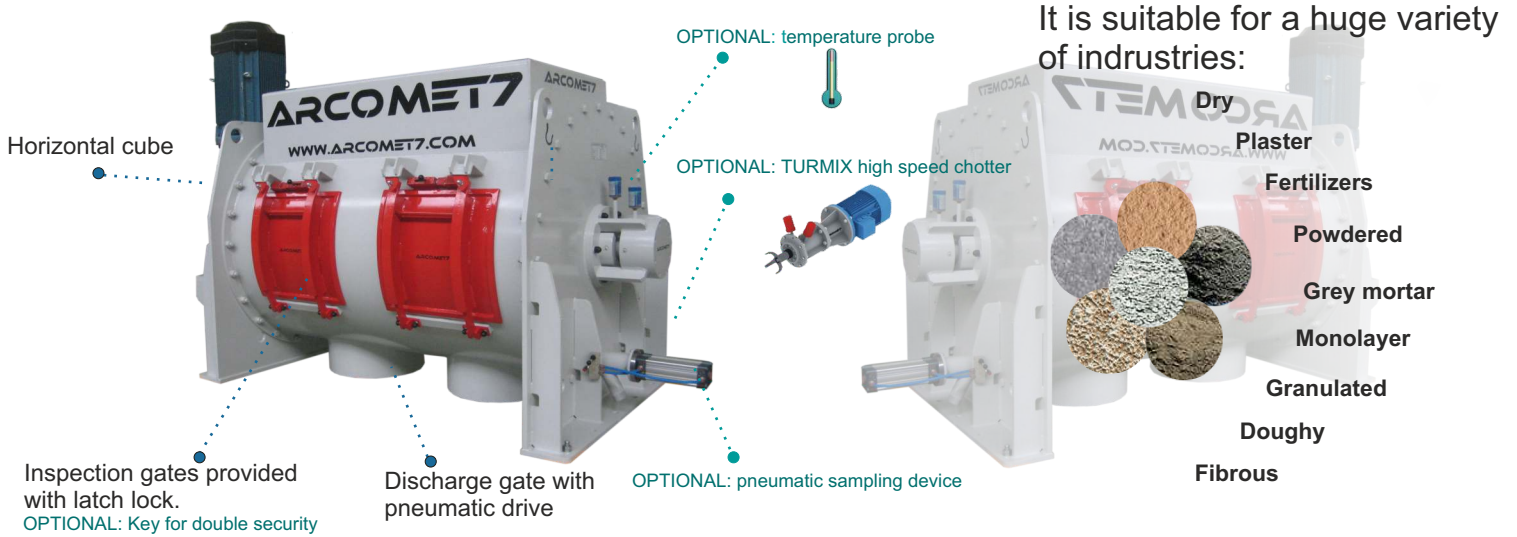


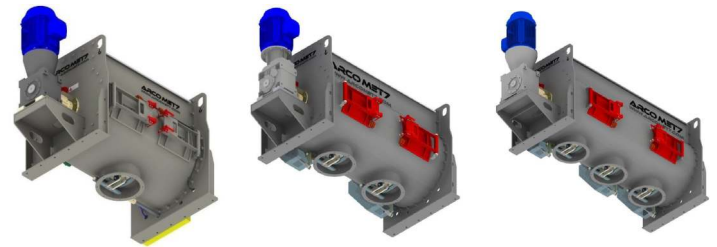
Discontinuous mixer which is totally hermetic, it is ideal for medium capacity mortar plants and special mixtures, it obtains a high quality mix in discontinuous processes.

Short mixing time and high efficiency processing tough mixtures. The HLV mixer reaches homogeneity around the whole geometry while avoiding deadspots or low movement zones in the cube.



MAIN FEATURES

- ✓ Production ranges from 1,8 to 48 T/h.
- ✓ Mixing time approximately 2 min, depending on the mix.
- ✓ Solid cube made of stainless steel.
- ✓ Mixing system with stainless steel shovels.
- ✓ Upper material inlet for product entry to mixer.
- ✓ Two scraper arms.



1, 2 or 3 discharge gates depending on models.



Fertilizing plant



HLV-1500 / Fertilizing plant

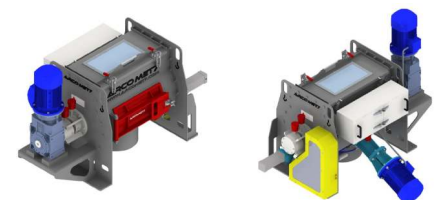


HLV-1500 2C / Dry mortar Plant

Laboratory model:

Versatile mixer for the following industries: pharmaceutical, food, chemist, biochimic and metal. Quality mixture in a short period of time without any product damage.

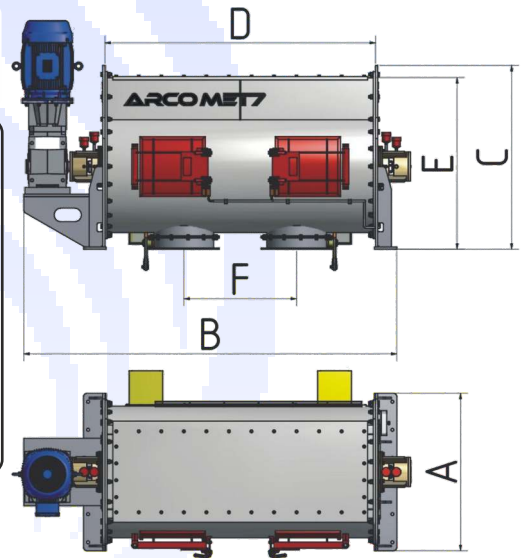
It is very useful for laboratory new formula development.



MODELS		300	600	1200	1500	2000	3000
GRANULOMETRY	Mm	0-5	0-5	0-5	0-5	0-5	0-5
PRODUCTION	T/h	3,6	9,5	19	25	32	48
CAPACITY	Lt	210	420	840	1050	1400	2100
MIXING ARMS	Nº	4	4	6	6	8	10
MAIN MOTOR DRIVE	Kw	11	22	30	37	45	55
MIXER WEIGHT	Kg	1380	1850	2600	2900	3600	4600
Nº OF DISCHARGE GATES	Nº	1	1	1 / 2	1 / 2	1 / 2	1 / 2 / 3

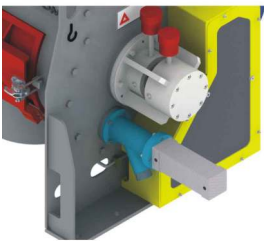


MODELS	DIMENSIONS mm					Distance between discharge gates (F)	
	A	B	C	D	E	2C	3C
HLV-300	620	2075	1390	1350	970	-	-
HLV-600	820	2150	2150	1500	820	-	-
HLV-1200	1170	2830	2830	1800	1640	800	-
HLV-1500	1170	2830	2830	1800	1640	800	-
HLV-2000	1170	3430	3430	2400	1640	1000	-
HLV-3000	1170	4030	4030	3000	1640	1500	900



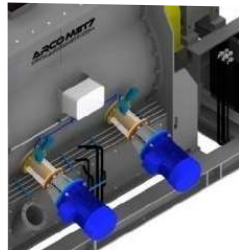
COMPLEMENTS

PNEUMATIC SAMPLING DEVICE



Easy analysis of the mixture obtaining a direct sample from the cube.

HIGH-SPEED CHOTTER



In order to get perfect disaggregation of agglomerates, fibers or pigments

SECURITY KEY IN INSPECTION GATE



Security device to secure inspection gate with a double code key.

CONTROL SOFTWARE ARCO DRY MIX



Management and communication Software for mortar plants. In plant processes control as well as remote control

ELECTRIC CUPBOARD



Electric cupboard with security locker for the entire control of the mixer.

 DELEGACIÓN
ZONA CATALUÑA
Tel. +34 619 70 36 20

 DELEGACIÓN
ZONA CENTRO
Tel. +34 680 980 628

 ARLACO LDA.
Tel. +35.1227128279
www.arlaco.pt

 ARCO BRASIL LTDA
Tel. +55.1938882738
www.arco brasil.ind.br

 DELEGACIÓN
COLOMBIA
Tel. +57.3167588219

 DELEGACIÓN
ARGENTINA
Tel. +54.0291155353570

Arco Met 7, S.L.
Pol. Ind. Centrovía,
C/ Buenos Aires, Nº12 - Nave A
50198 La Muela, Zaragoza (España)
TELF: +34 976 141873
FAX: +34 976 144763